

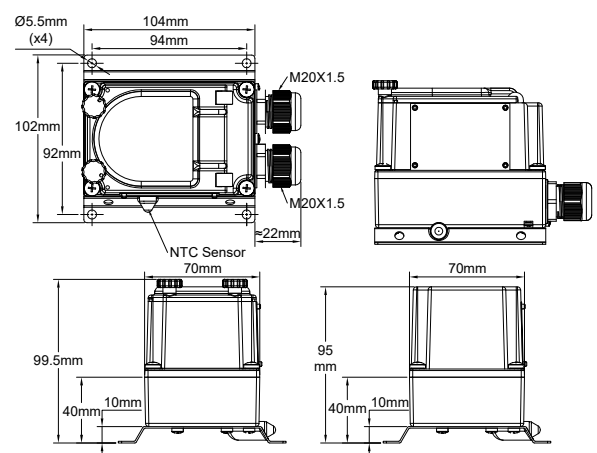


Electronic room thermostats for heat tracing, metal box

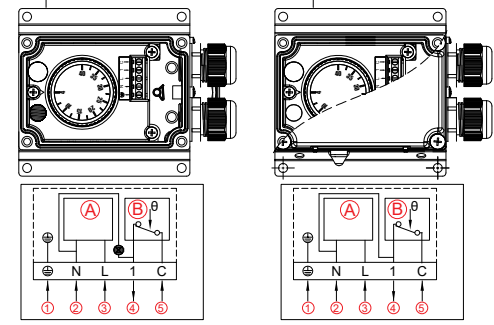
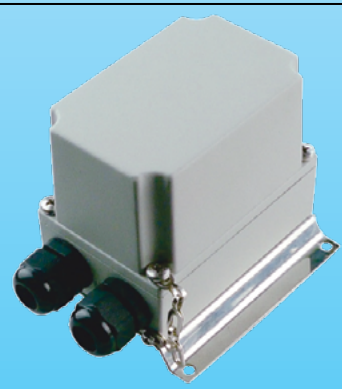
Because of permanent improvement of our products, drawings, descriptions, features used on these data sheets are for guidance only and can be modified without prior advice

Enclosure	Type	Operation	Contact	Measurement	Ranges °C	Types
IP65, IK10	Control	Electronic	SPNC	Ambient		Y1A2P & Y1B2P
Material						
Aluminum						

Y1B2P: External adjustment (With pilot light)

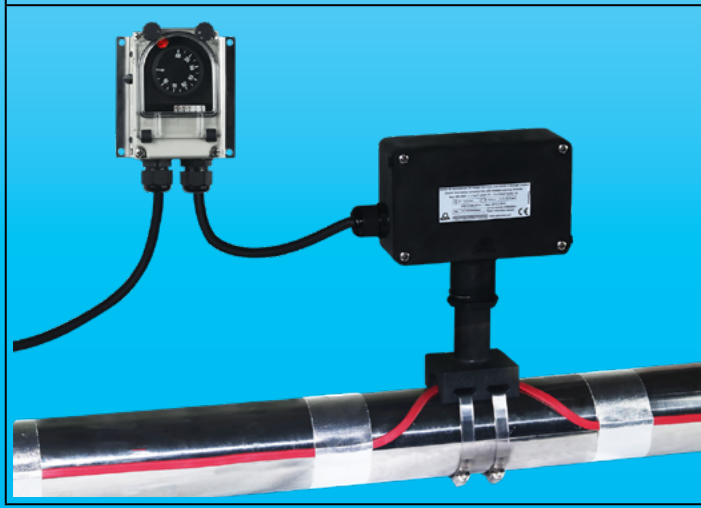


Y1A2P: Internal adjustment (Without pilot light)

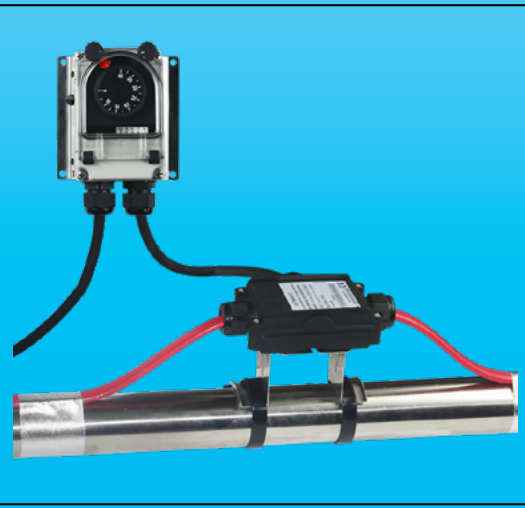


- (A) Electronic circuit
- (B) Relay Max 16A 240V res.
- ① Ground
- ② Power supply 90~240V Neutral
- ③ Power supply 90~240V Line
- ④ Relay contact output
- ⑤ Relay contact Power supply

Example of assembly on two heat tracing cables of one Y1B2P, in combination with Y29 connection box



Example of assembly on two heat tracing cables, with Y26 connection box with stainless steel elevated bracket, for pipe antifreeze protection.





Electronic room thermostats for heat tracing, metal box

Applications

- Heavy duty industrial environments
- Outdoor antifreeze temperature control of heaters and heat tracing cables.
- Wall mounting for indoor or outdoor temperature control of cold rooms.
- Temperature control of industrial or commercial premises.
- Green houses and livestock stables temperature control.

Technical features

Housing: Aluminum, IP65, IK10. Mounted on a SUS304 stainless steel wall mounting plate which keeps the temperature sensing element away from the wall. Grey RAL7032 epoxy painting. Stainless steel captive cover screws. Captive aluminum lid.

Operation: Microprocessor electronic control thermostat.

Adjustment ranges: -35-35°C (-30+95°F), 0-10°C (32-50°F), 4-40°C (40-105°F).

Set point adjustment: By °C printed knob. All types have an adjustable rotation limit system located inside the knob that allows reducing the set point adjustment span. Types with external adjustment have a transparent window. This device allows seeing the pilot light and the knob position. °F values are available as an option.

Sensing element: NTC probe, mounted on the side of plastic housing.

Cable input and output: Two M20 cable glands, Black PA66. Internal electrical connection on screw terminals. 2 phase power supply (Line+ Neutral, 220~250V, 50Hz~60Hz) are mandatory.

Earthing: Internal and external screw terminal.

Pilot light: Allow to visualize thermostat contact output position. Standard for all models with transparent window. Non- standard and on special request only for models with plain aluminum cover.

Mounting: Wall mounting, by 4 holes for screws dia. 4 to 5mm, 94 × 92mm distance.

Identification: Metallic identification label, riveted.

Contact: SPST. 16A (2.6), 250VAC. Open on temperature rise.

Electrical life: >100.000 cycles.

Minimum storage temperature: -35°C (-30°F)

Maximum ambient temperature: 60°C (140°F)

Options: Models with remote temperature sensor

For more technical information on the electronic part, see 2PE2N6 thermostat technical data sheet in catalog N°1

Main references used in heat tracing

Temperature adjustment ranges °C (°F)	Differential °C (°F)	References with external adjustment	References with internal adjustment
-35-35°C (-30+95°F)	0.5~0.8°C (0.9~1.4°F)	Y1B2PN6F235035AJ	Y1A2PN6F235035AJ
4-40°C (40-105°F)	0.5~0.8°C (0.9~1.4°F)	Y1B2PN6F204040AJ	Y1A2PN6F204040AJ

*F printing: replace last character (J) by K.

Knob printings				Similar products (For more information these models, see the catalogue number 2, second edition)	
°F Printing		°C Printing		Y1G2P	Y1I2P
-30+95°F	40+105°F	-35+35°C	4-40°C	Electronic temperature control with distant sensor and internal adjustment	Electronic temperature control with distant sensor and adjustment under window

Because of permanent improvement of our products, drawings, descriptions, features used on these data sheets are for guidance only and can be modified without prior advice