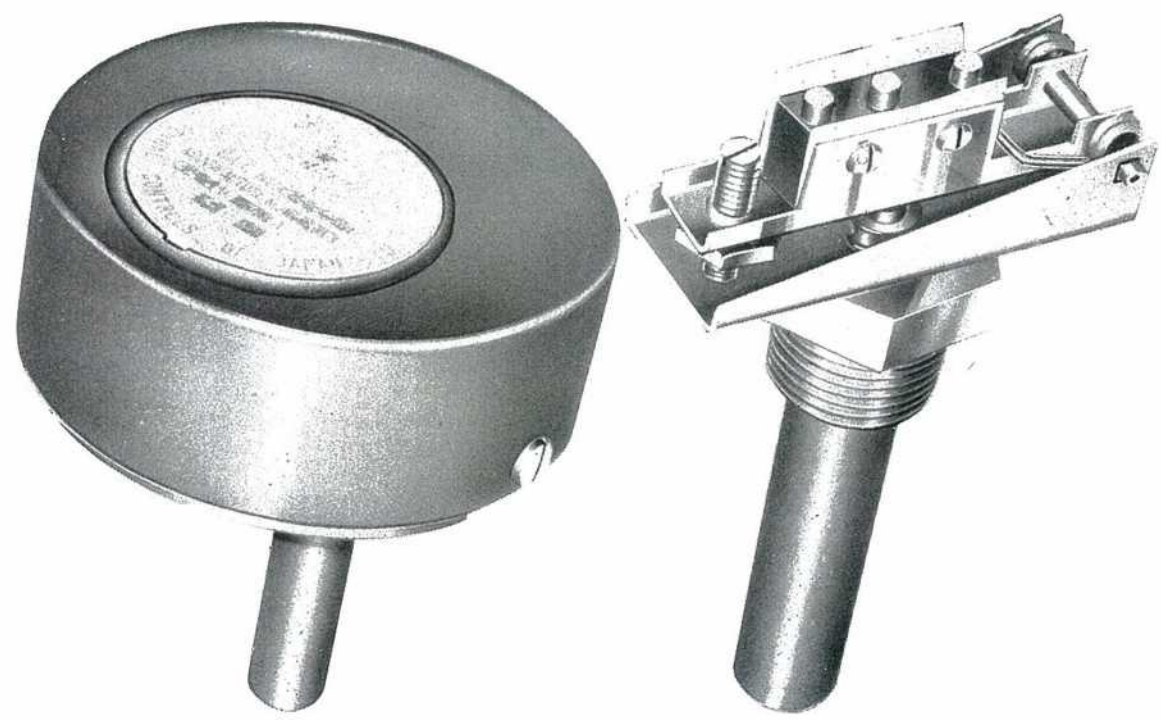


NON-INDICATING, MINIATURIZED THERMOSTATS

Liquid Expansion Snap-Action THERMOSWITCH[®] Controls
SERIES 23000, 23100, 23300, 23700, 23800


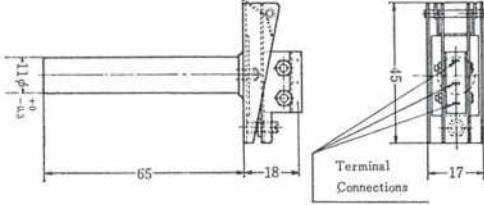
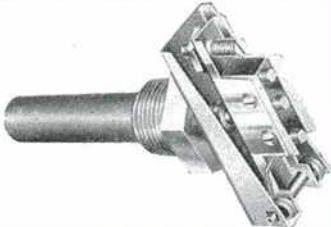
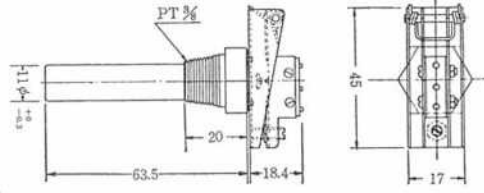
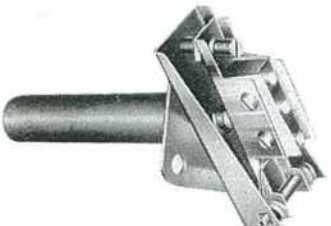
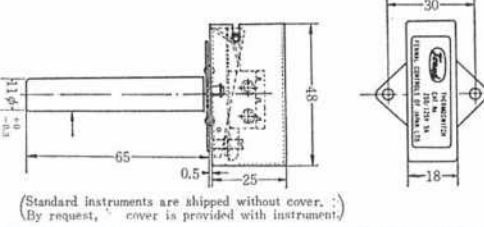


CONTROLS TEMPERATURE . . . PRECISELY

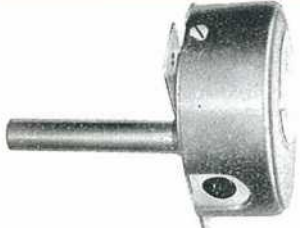
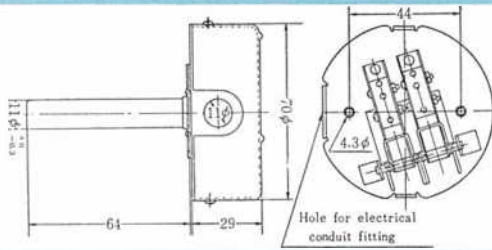
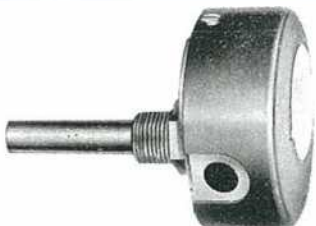
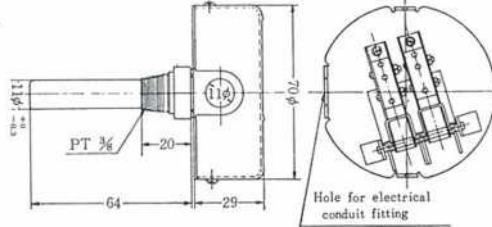
FENWAL INCORPORATED, ASHLAND, MASS.
FENWAL INTERNATIONAL LIMITED.
104 Rue de Birmingham
BRUSSELS 7. Belgium.

MANUFACTURED BY
FENWAL CONTROLS OF JAPAN, LTD.
LICENSEE OF FENWAL INC.

Miniaturized Single Switch Controller

Configuration	Dimension	Description
		<p>Series 230 XX Open Frame, Differential: $\pm 1.7^\circ\text{C}$ Material: Probe & Head—Brass or S.Steel Bracket—S.Steel</p>
		<p>Series 231XX Open Frame, Immersion fitting, Differential: $\pm 1.7^\circ\text{C}$ Material: Probe & Head—Brass or S.Steel Bracket—S.Steel</p>
		<p>Series 233 XX Open Frame, Flange mount, Differential: $\pm 1.7^\circ\text{C}$ Material: Probe & Head—Brass or S.Steel Bracket—S.Steel</p>

Miniaturized Dual Switch Controllers

		<p>Series 237 XX Junction box, Flange mount, Differential: $\pm 1.7^\circ\text{C}$ Material: Probe & Head—Brass or S.Steel Bracket—S.Steel</p>
		<p>Series 238 XX Junction box, Immersion fitting Differential: $\pm 1.7^\circ\text{C}$ Material: Probe & Head—Brass or S.Steel Bracket—S.Steel</p>

Last 2 digits Catalog No.	Temp. Range	Current Rating
00	80°~150° C	A C
10	30°~100° C	5 A, 125-250 V
20	-20°~ 50° C	D C
00S	Same as 00, Type. S.Steel Shell	
10S	" 10	" "
20S	" 20	" "

Note : 1) Extended length shells available on special order.

Note : 2) When ordering, combine last digits of the catalog number with the first three.
EXAMPLE : Catalog No. 23820 is a junction box immersion fitting type with -20° to 50° C temperature range.